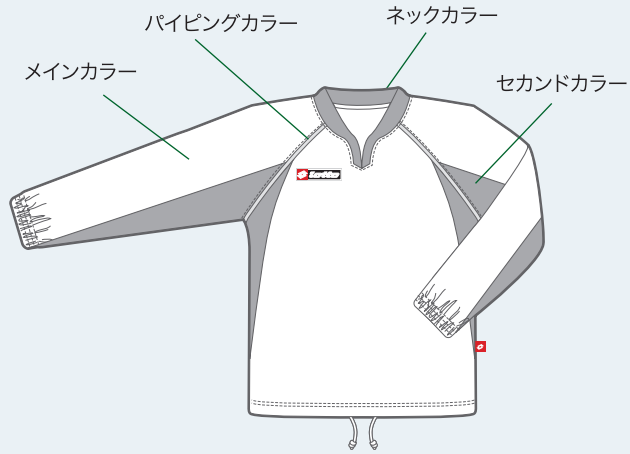


TRIAL WEAR

TRIAL WEAR



MEN'S  MADE IN JAPAN

LSW6205L

¥7,665(本体価格¥7,300)

JUNIOR  MADE IN JAPAN

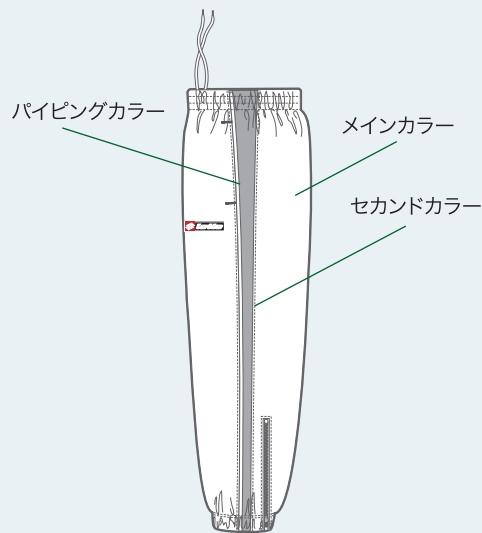
LSW6205LJ

¥7,245(本体価格¥6,900)

本体: ナイロン100%

マーキング: 刺繍

DRY-SYNC



MEN'S  MADE IN JAPAN

LSW6209P

¥7,665(本体価格¥7,300)

JUNIOR  MADE IN JAPAN

LSW6209PJ

¥7,245(本体価格¥6,900)

本体: ナイロン100%

マーキング: 刺繍

DRY-SYNC